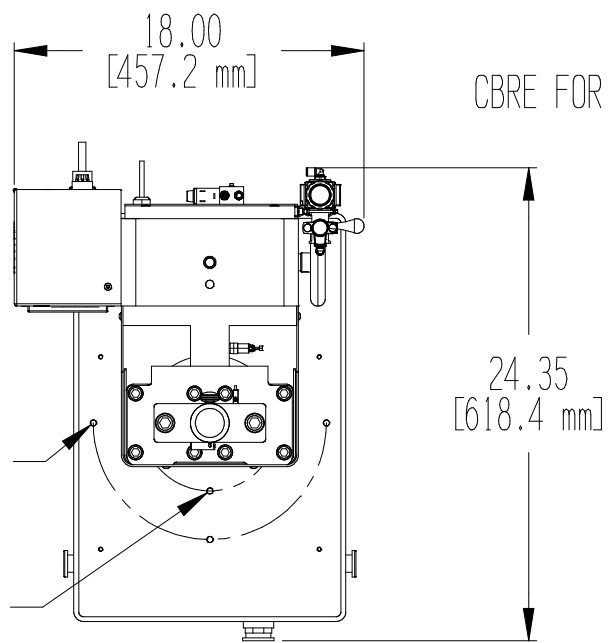


3/8 -16UNC-2B ∇ 0.782
3 HOLE ON ϕ 12.0"

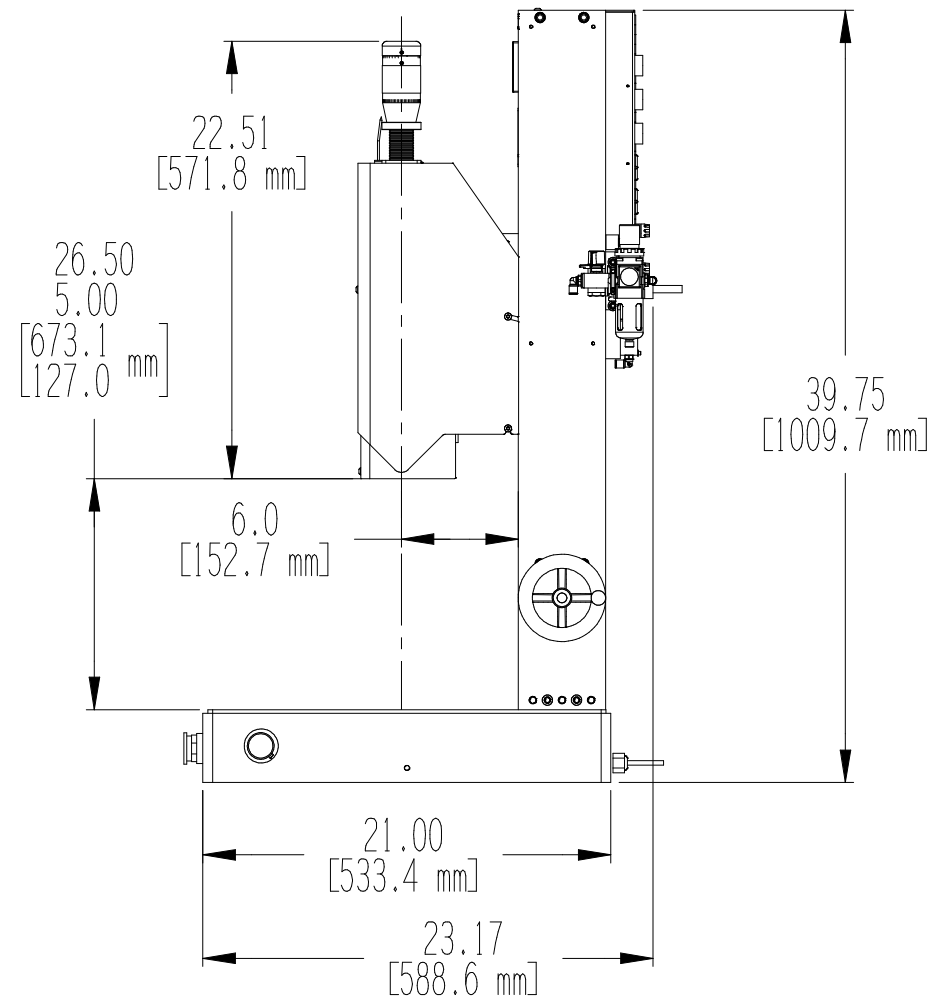
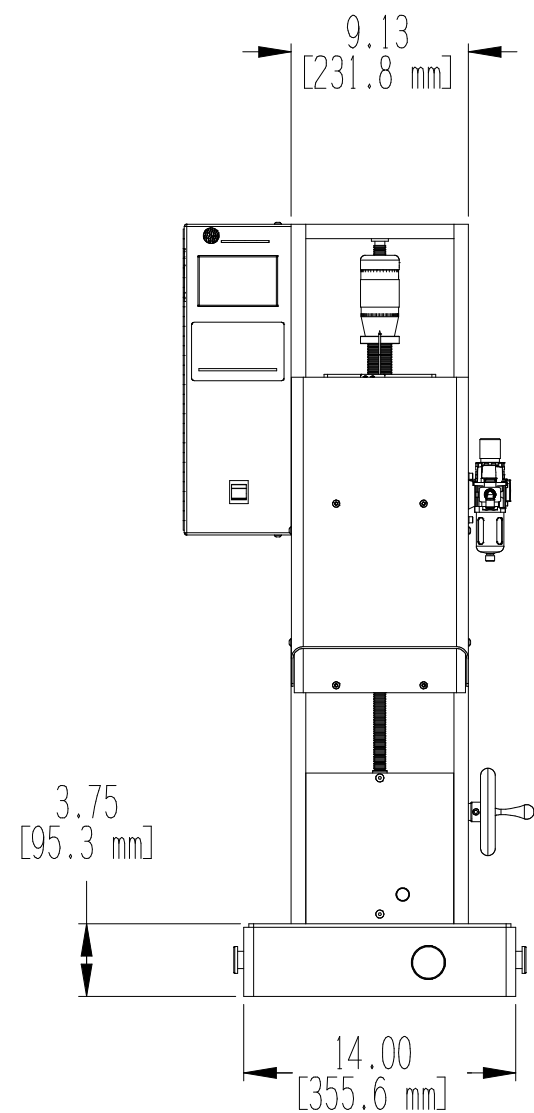
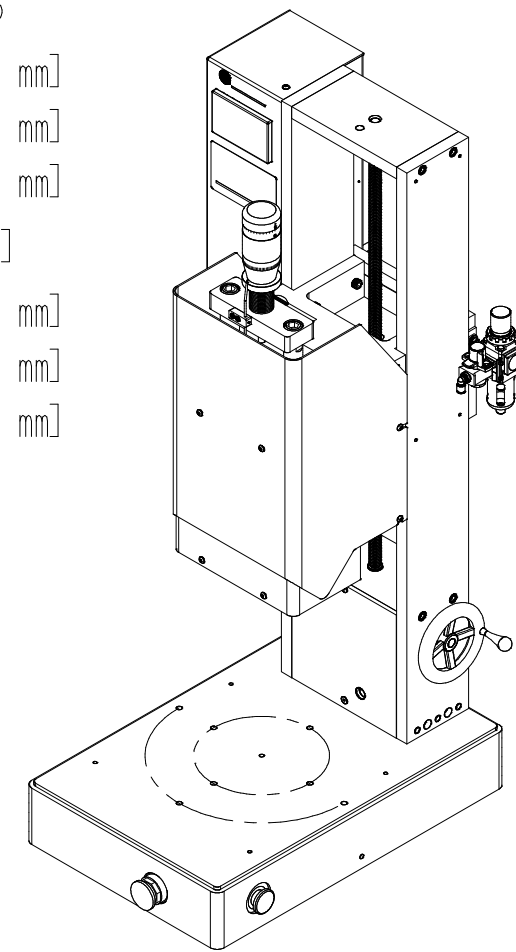
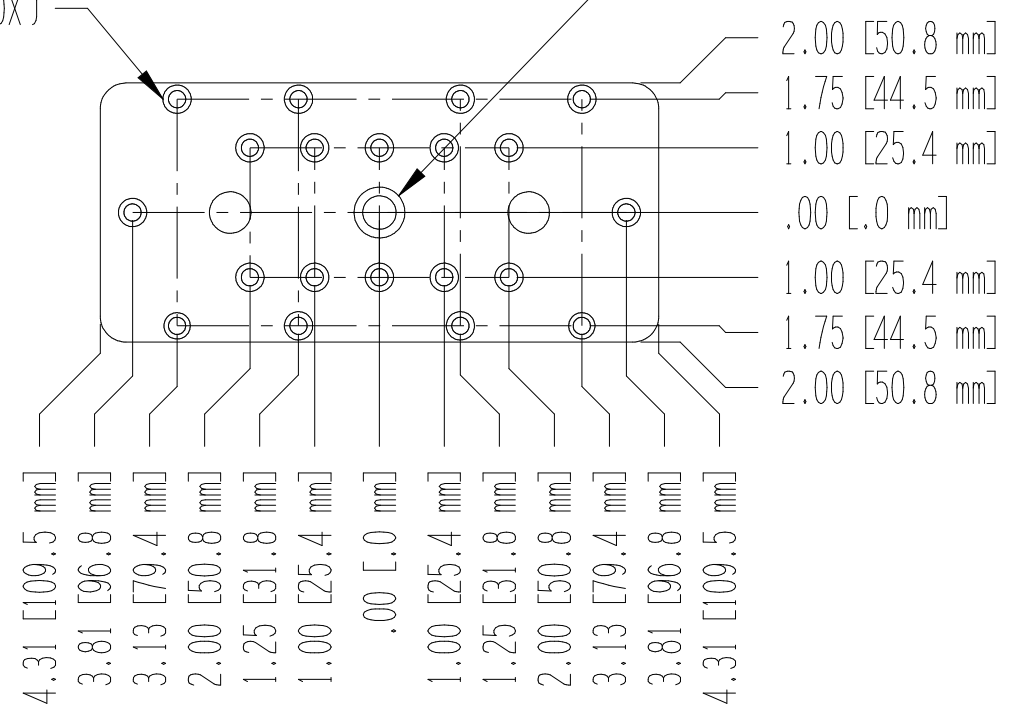
3/8 -16UNC-2B ∇ 0.782
4 HOLE ON ϕ 7.0" B.C.



UPPER TOOLING MOUNT PLATE
(CENTERED ON BASE BOLT CIRCLE)

CBRE FOR 1/4 SHCS (20X)

CBRE FOR 1/2 SHCS



SONITEK
84 RESEARCH DRIVE, MILFORD, CT 06460
(203)-878-9321 FAX: (203)-878-6786

THIS PRINT IS THE PROPERTY OF SONITEK AND REPRESENTS CONFIDENTIAL AND PROPRIETARY INFORMATION OF SONITEK. THEREFORE, IT MAY NOT BE USED OR DISCLOSED IN ANY WAY WITHOUT THE EXPRESSED WRITTEN CONCENT OF SONITEK.

TITLE: OVERALL DIMS

SIZE A	DWG. NO. DT-10	REV -
-----------	-------------------	----------