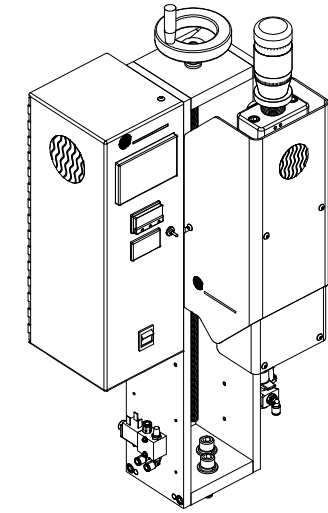
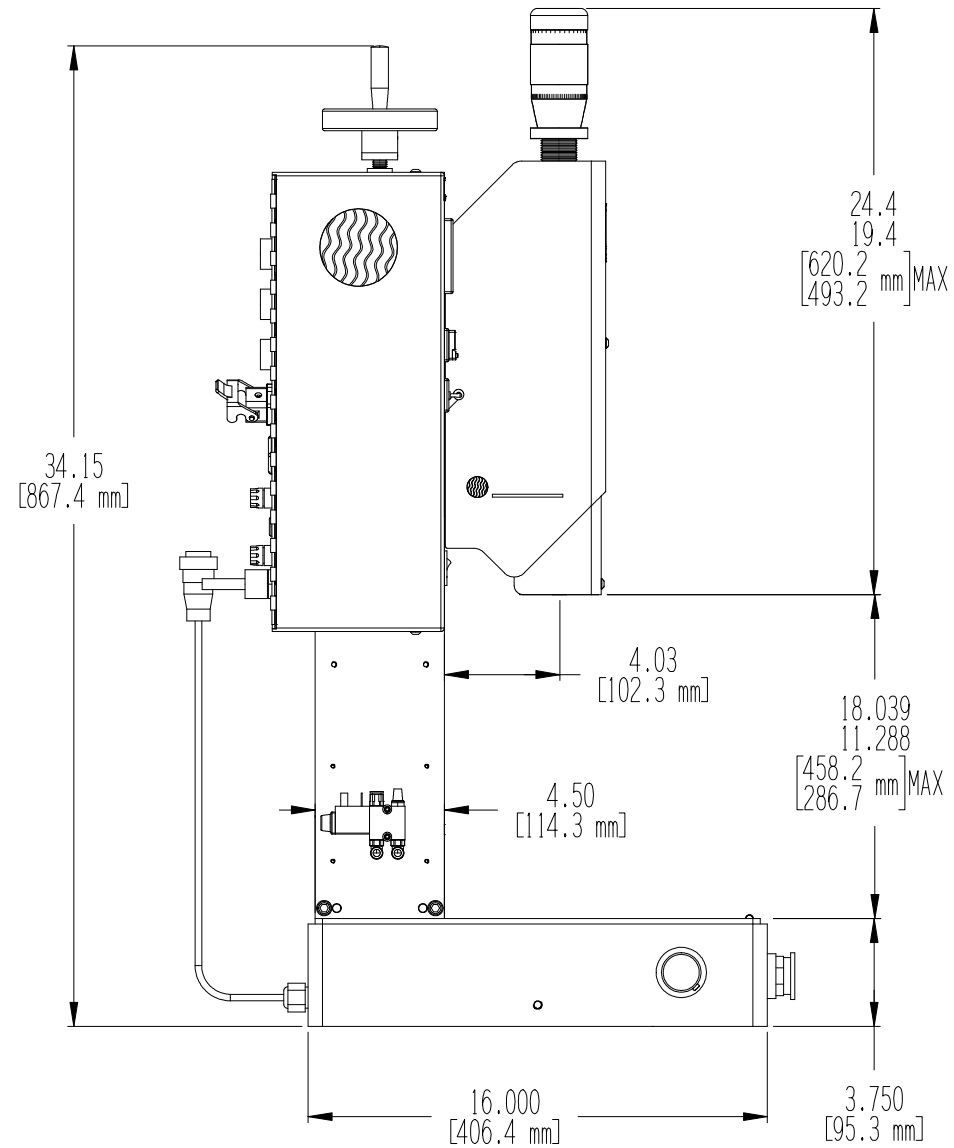
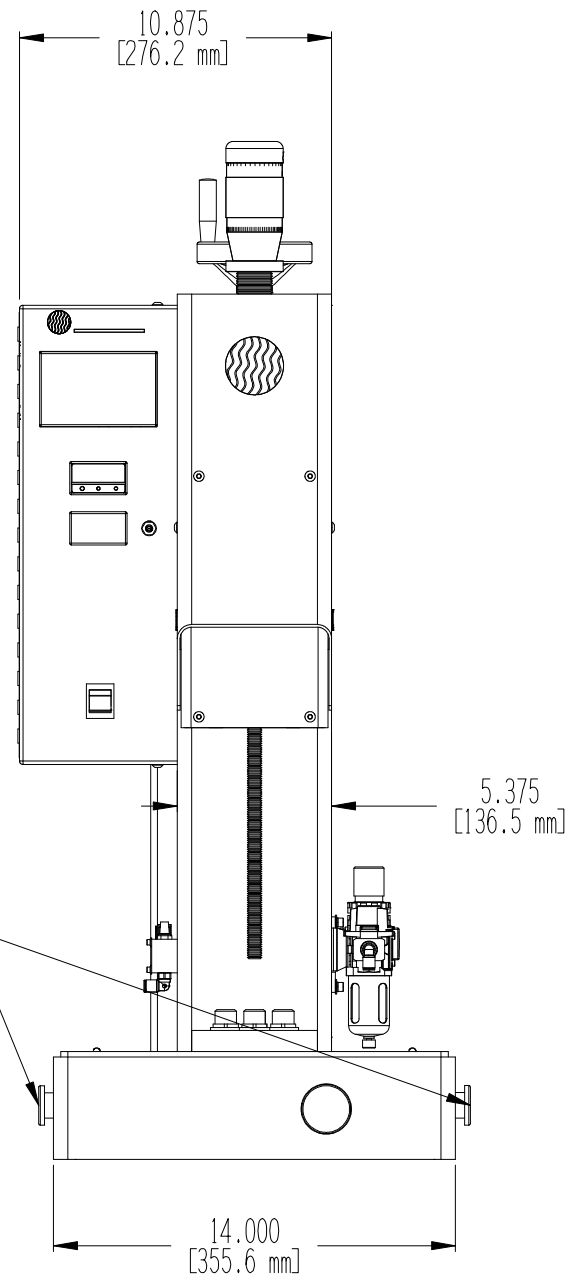
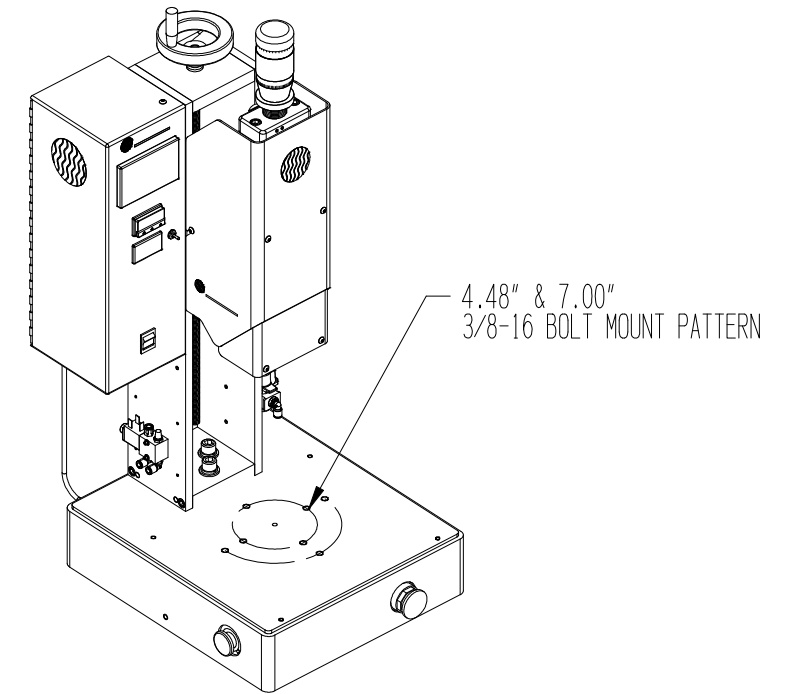


REVISIONS				
LTR	DESCRIPTION	DATE	REVISED	APPROVED
-	INITIAL RELEASE			



LESS BASE OPTION (LB)
FOR AUTOMATION USE



SONITEK
84 RESEARCH DRIVE, MILFORD, CT 06460
(203)-878-9321 FAX: (203)-878-6786

THIS PRINT IS THE PROPERTY OF SONITEK AND REPRESENTS
CONFIDENTIAL AND PROPRIETARY INFORMATION OF SONITEK.
THEREFORE IT MAY NOT BE USED OR DISCLOSED IN ANY
WAY WITHOUT THE EXPRESSED WRITTEN CONCENT OF SONITEK.

TITLE: S3 BASIC

SIZE	DWG. NO.	REV
B	S3	-