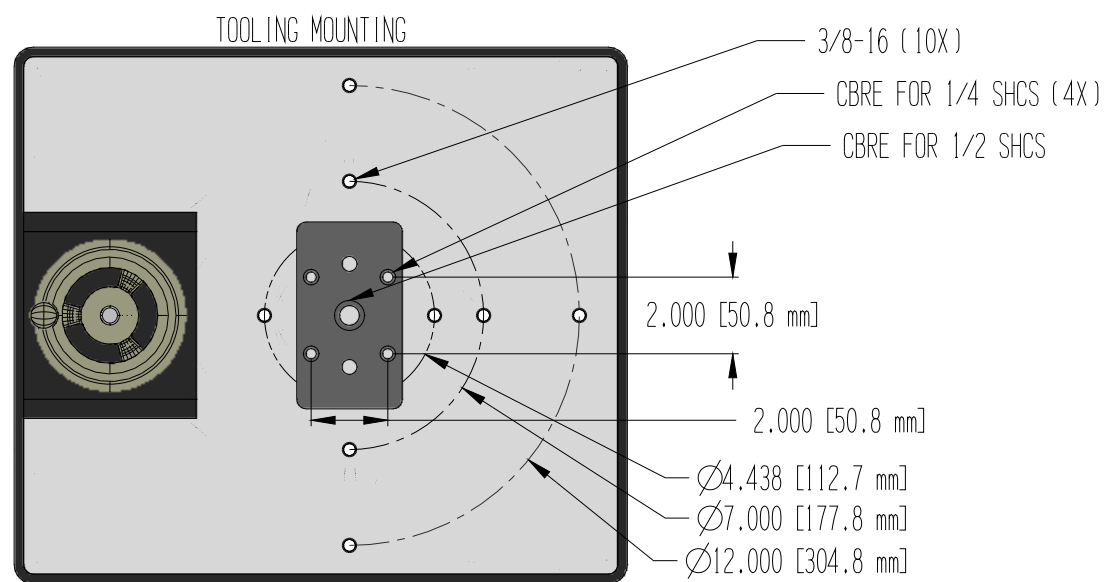
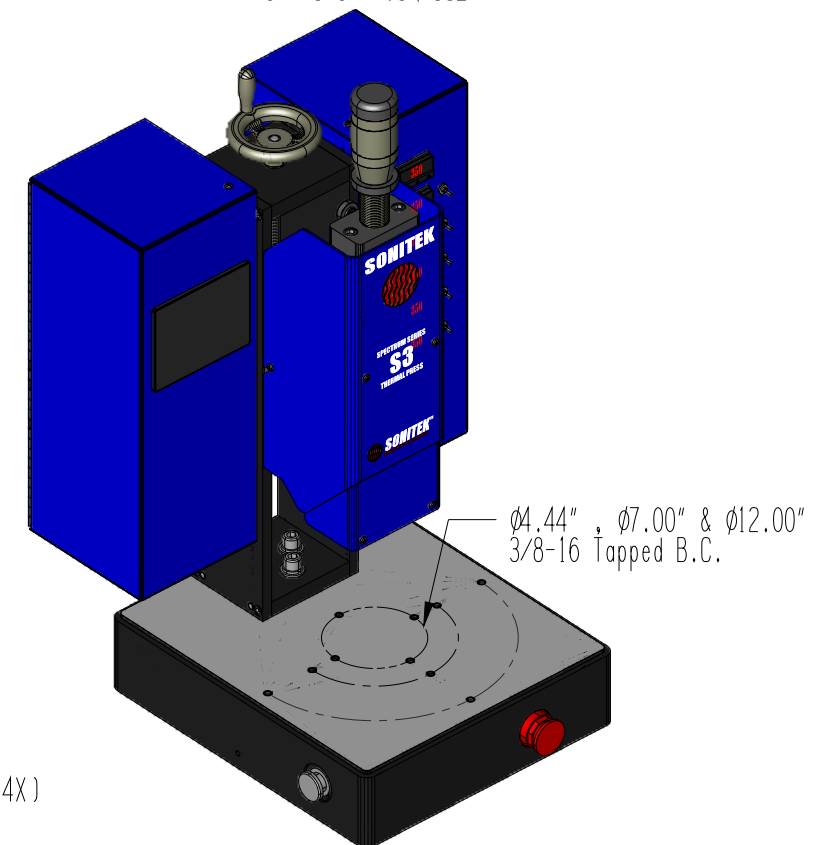


LESS BASE OPTION (LB)
FOR AUTOMATION USE



SONITEK
84 RESEARCH DRIVE, MILFORD, CT 06460
(203)-878-9321 FAX: (203)-878-8786

THIS PRINT IS THE PROPERTY OF SONITEK AND REPRESENTS CONFIDENTIAL AND PROPRIETARY INFORMATION OF SONITEK. THEREFORE, IT MAY NOT BE USED OR DISCLOSED IN ANY WAY WITHOUT THE EXPRESSED WRITTEN CONSENT OF SONITEK.

TITLE: **THERMAL PRESS**

SIZE B	DWG. NO. S3-ULTRA	REV. -
-----------	----------------------	-----------