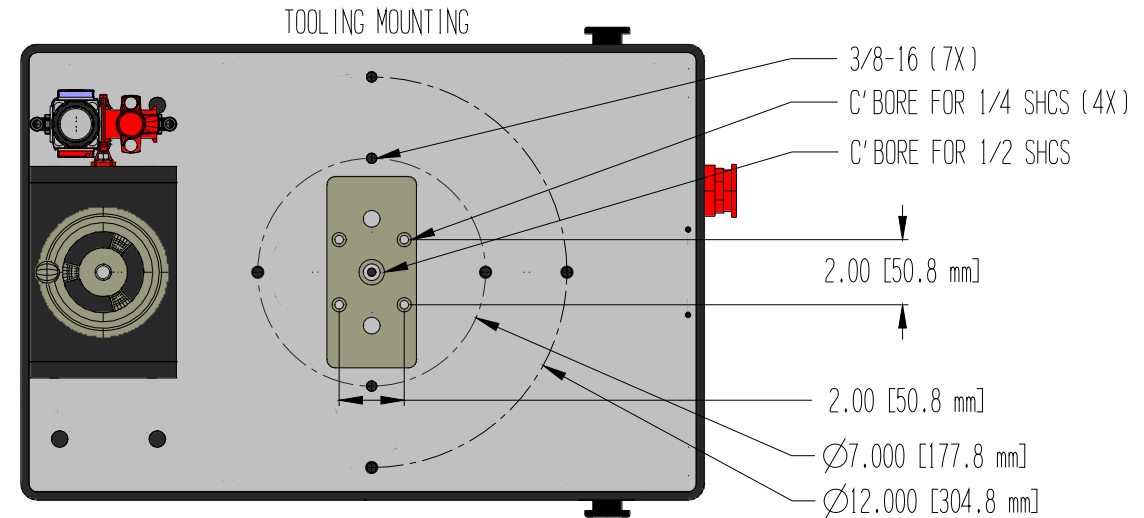
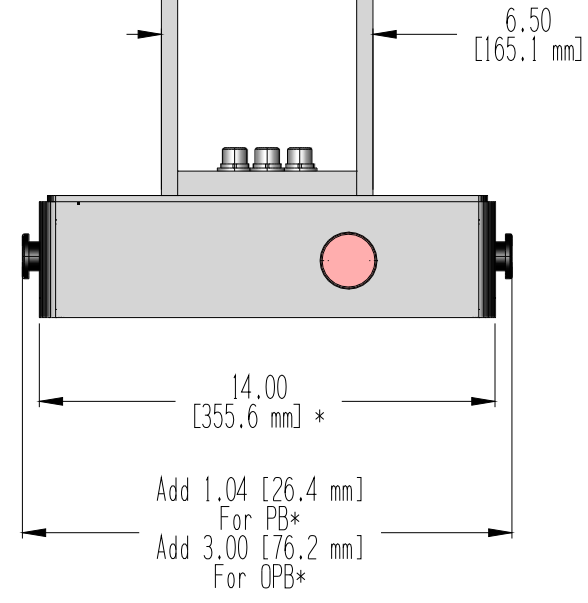
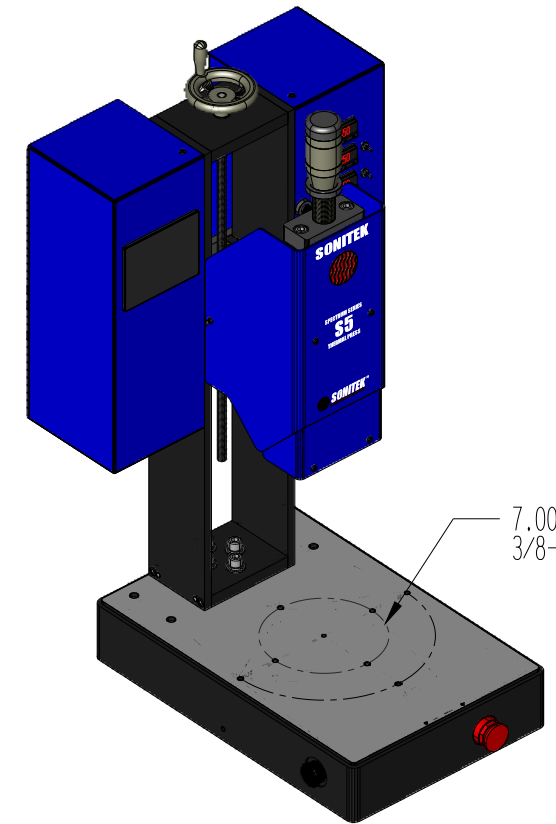


LESS BASE OPTION (LB)
FOR AUTOMATION USE



SONITEK
84 RESEARCH DRIVE, MILFORD, CT 06460
(203)-878-9321 FAX: (203)-878-6786

THIS PRINT IS THE PROPERTY OF SONITEK AND REPRESENTS CONFIDENTIAL AND PROPRIETARY INFORMATION OF SONITEK. THEREFORE IT MAY NOT BE USED OR DISCLOSED IN ANY WAY WITHOUT THE EXPRESSED WRITTEN CONSENT OF SONITEK.

TITLE: THERMAL PRESS

SIZE B	DWG. NO. S5-ULTRA	REV. -
-----------	----------------------	-----------