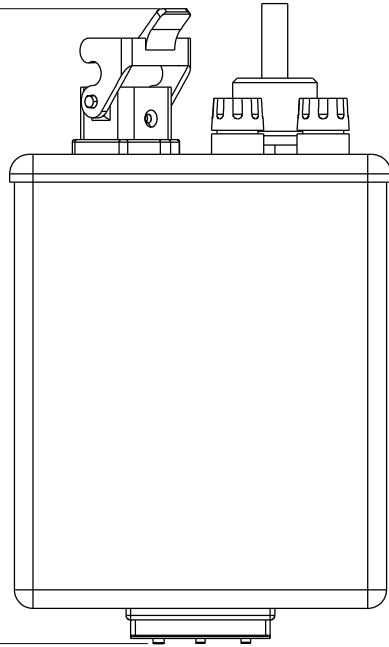
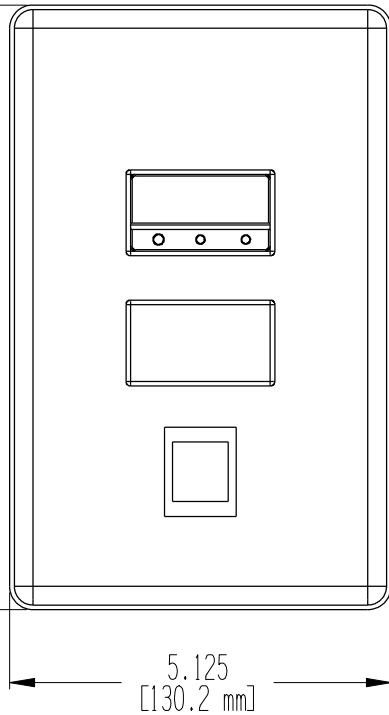


8.527  
[216.6 mm]

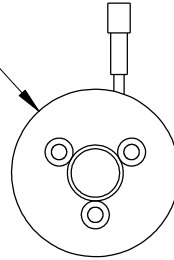


8.125  
[206.4 mm]



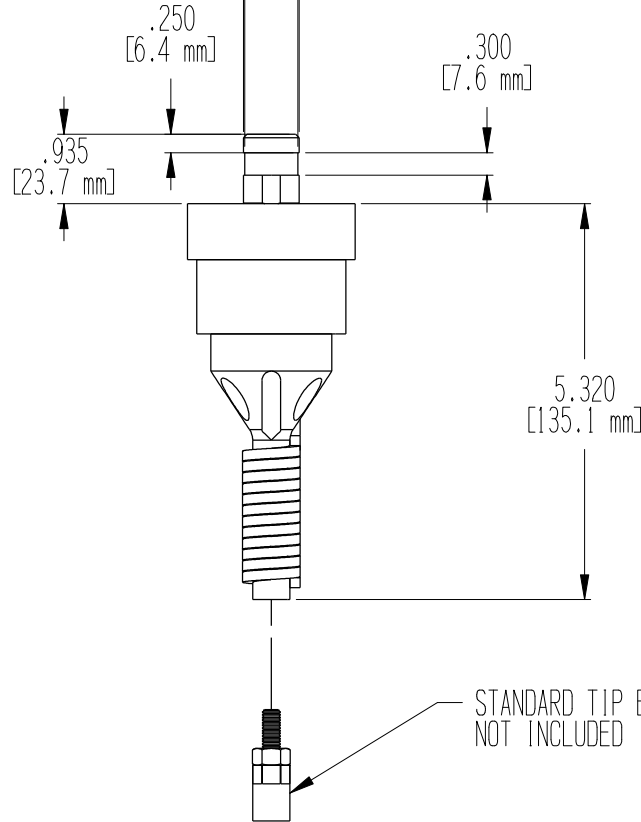
5.125  
[130.2 mm]

Ø2.250  
[57.2 mm]

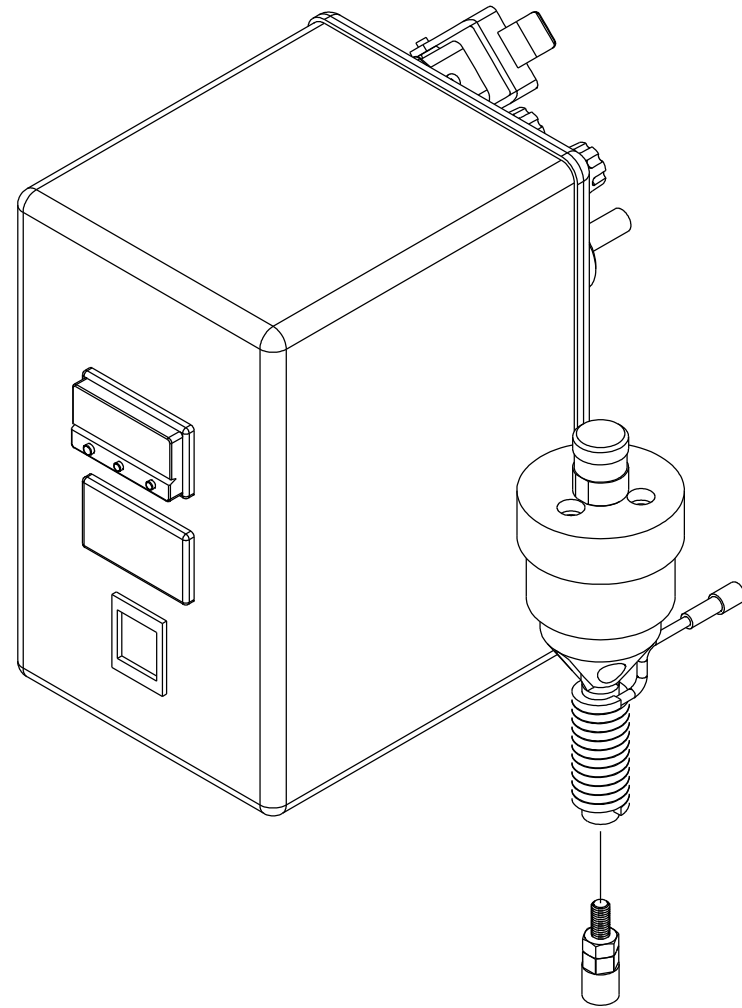


Ø.710 ±.005  
[18.03 mm ±.13]

Ø.750 ±.005  
[19.05 mm ±.13]



STANDARD TIP BLANK SHOWN FOR REFERENCE  
NOT INCLUDED



**SONITEK**

84 RESEARCH DRIVE, MILFORD, CT 06460  
(203)-878-9321 FAX: (203)-878-6786

THIS PRINT IS THE PROPERTY OF SONITEK AND REPRESENTS  
CONFIDENTIAL AND PROPRIETARY INFORMATION OF SONITEK.  
THEREFORE IT MAY NOT BE USED OR DISCLOSED IN ANY  
WAY WITHOUT THE EXPRESSED WRITTEN CONSENT OF SONITEK.

**TITLE:**

CNC / DRILL PRESS HEAT STAKING KIT

**SIZE**

**DWG. NO.**

**REV**

A

N/A

-