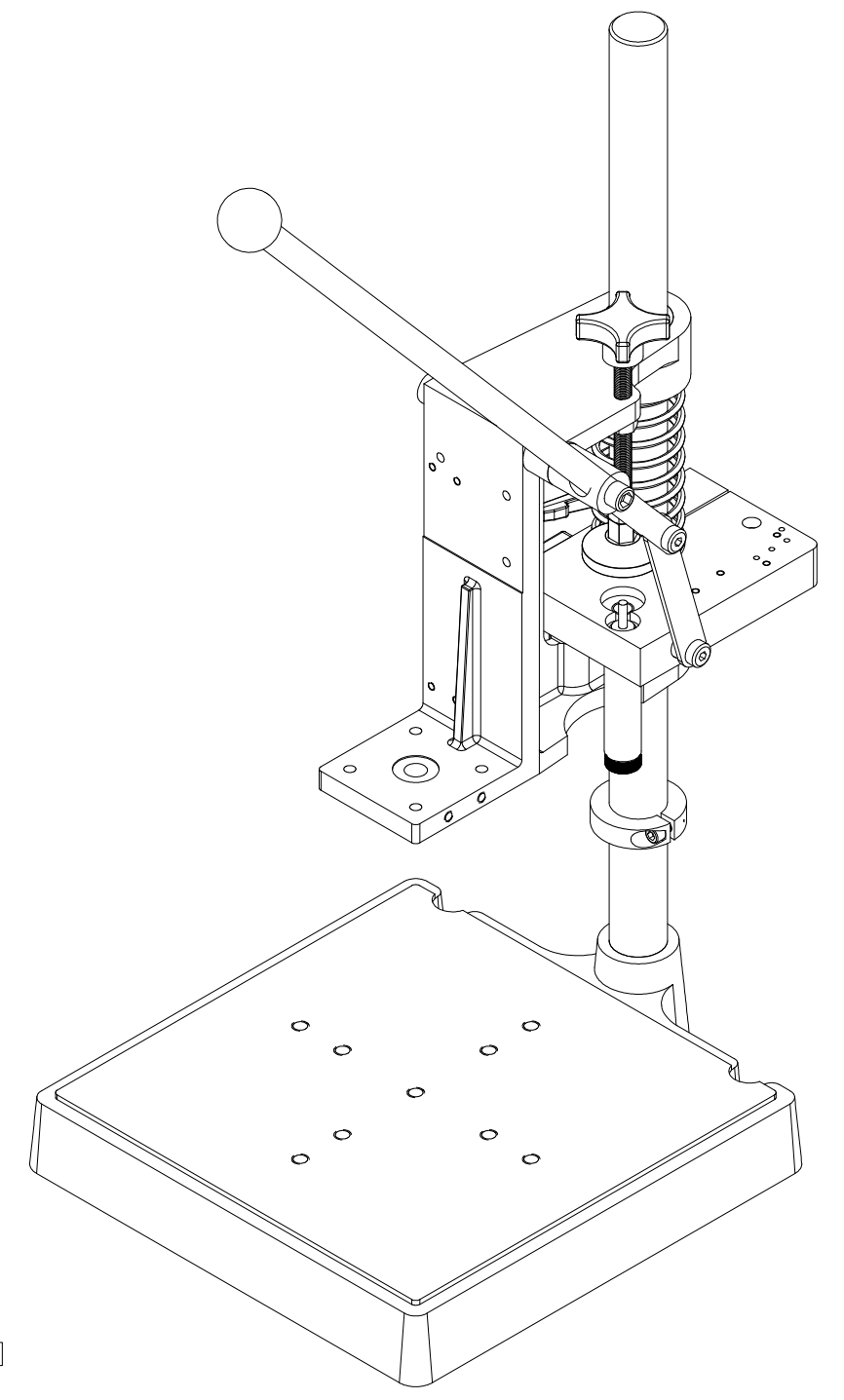
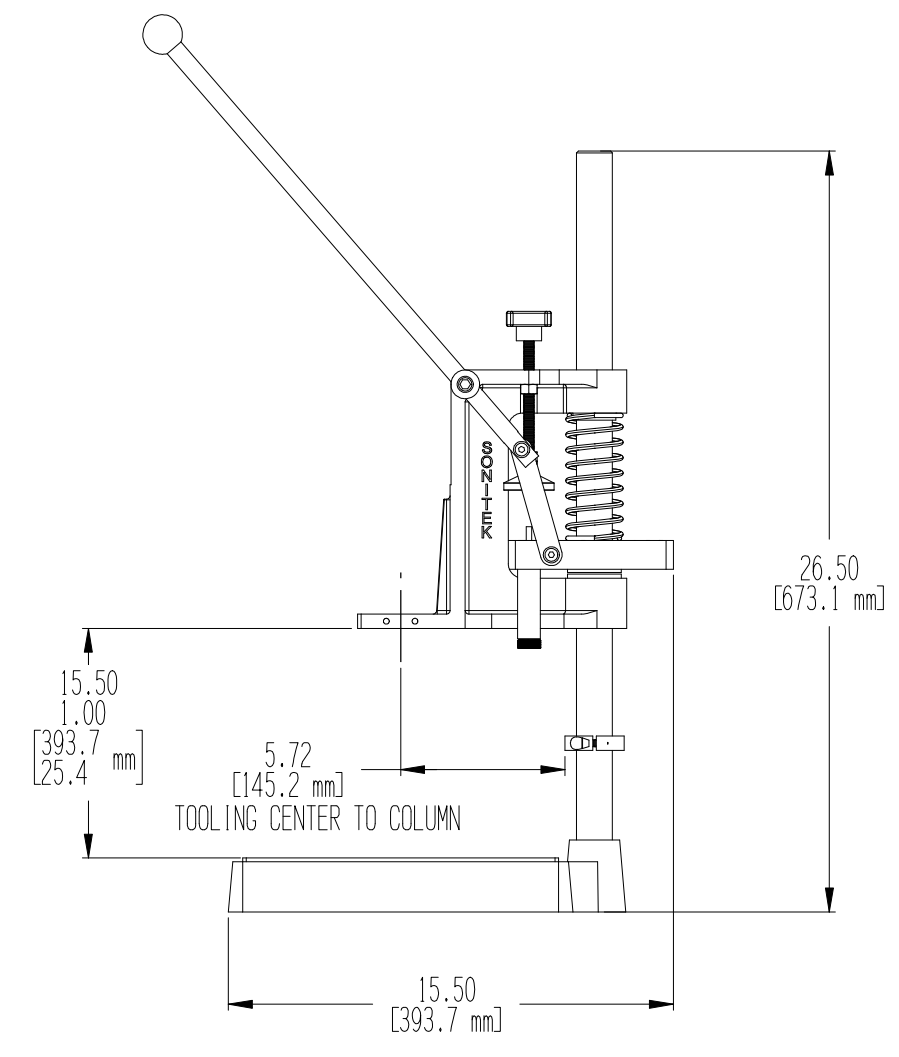
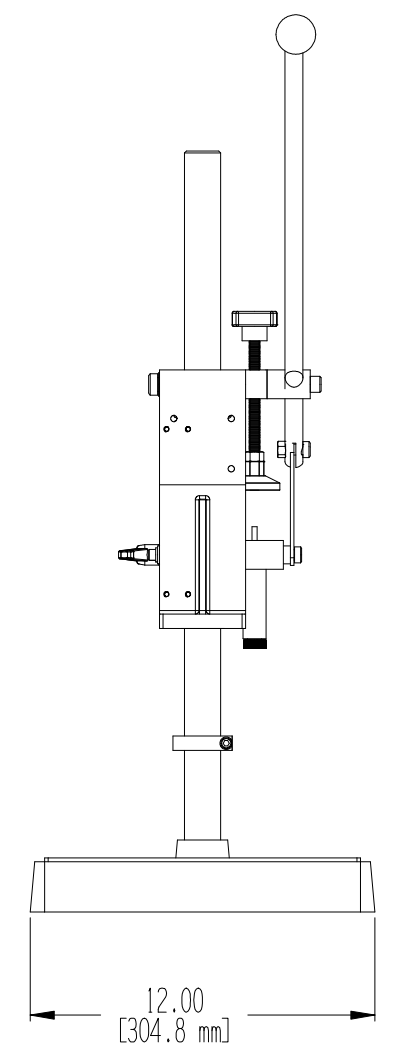
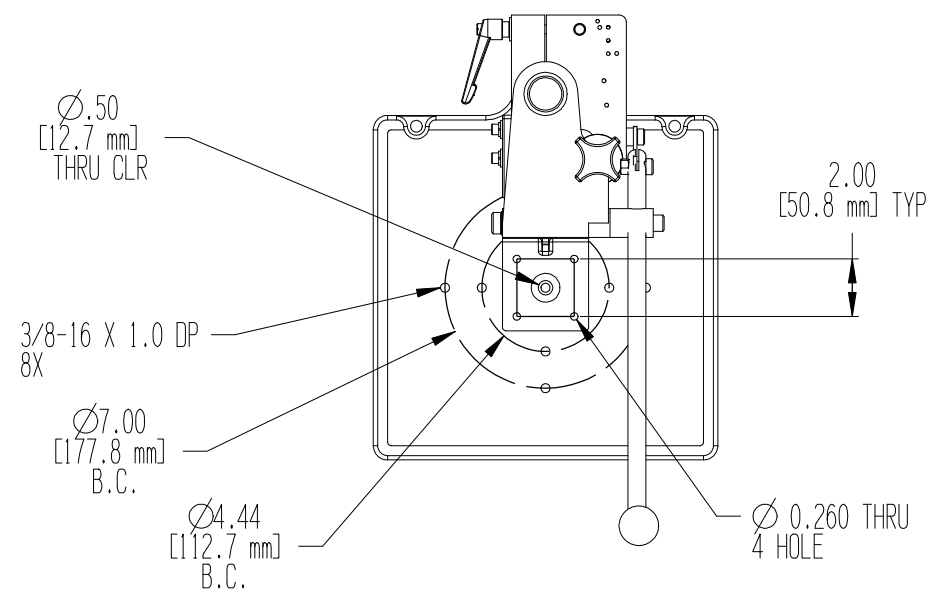



REVISIONS				
LTR	DESCRIPTION	DATE	REVISED	APPROVED
-	INITIAL RELEASE			




84 RESEARCH DRIVE, MILFORD, CT 06460
(203)-878-9321 FAX: (203)-878-6786

THIS PRINT IS THE PROPERTY OF SONITEK AND REPRESENTS CONFIDENTIAL AND PROPRIETARY INFORMATION OF SONITEK. THEREFORE, IT MAY NOT BE USED OR DISCLOSED IN ANY WAY WITHOUT THE EXPRESSED WRITTEN CONSENT OF SONITEK.

TITLE: OVERALL DIMS (100 SERIES)

SIZE	DWG. NO.	REV
B	X	-