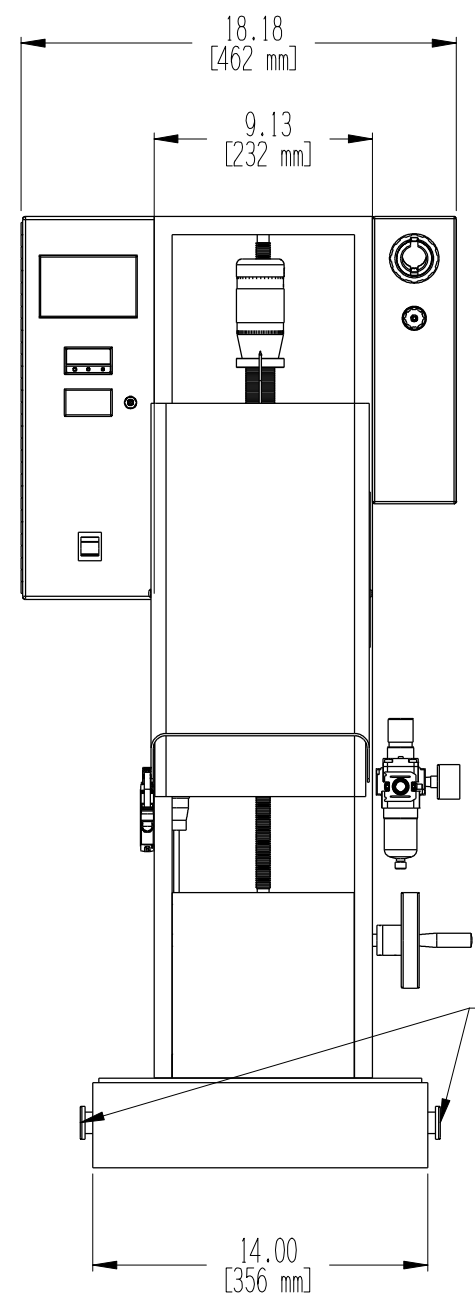
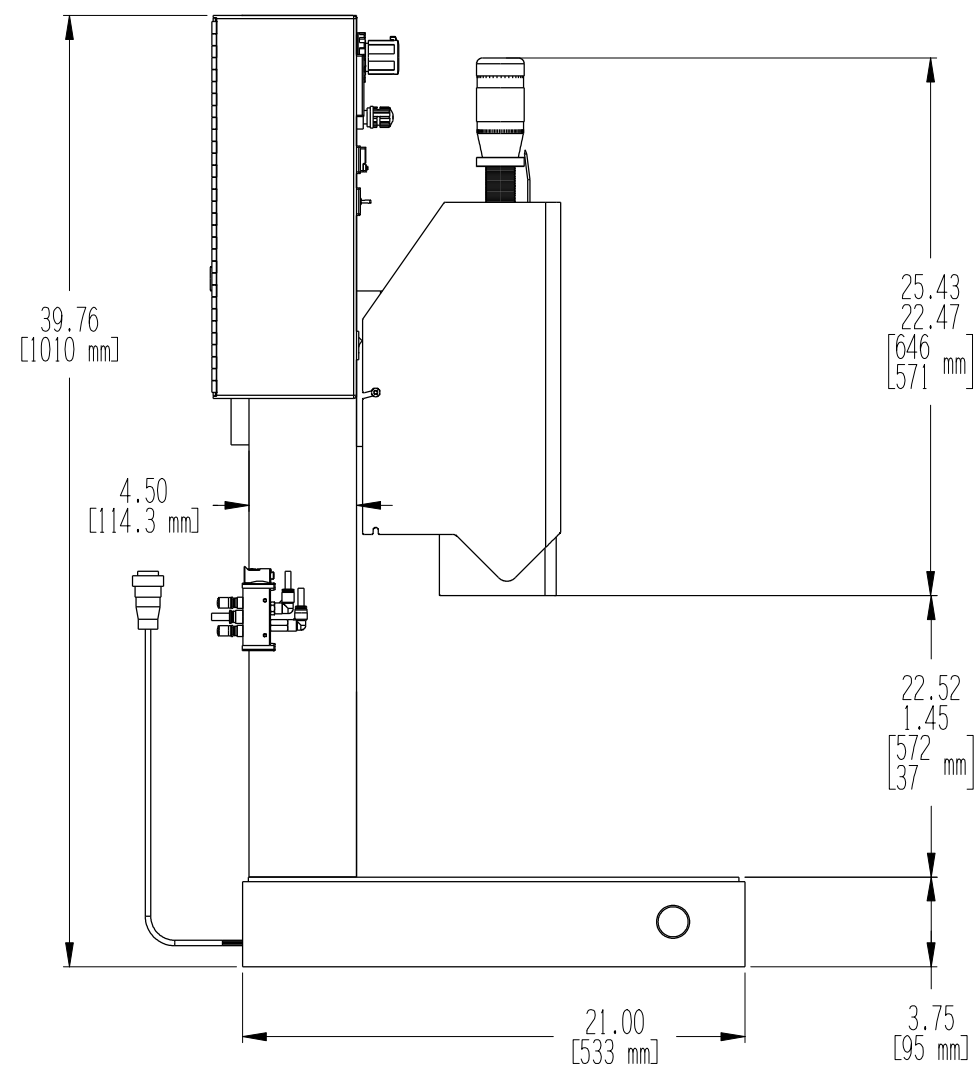


REVISIONS				
LTR	DESCRIPTION	DATE	REVISED	APPROVED
-	INITIAL RELEASE			

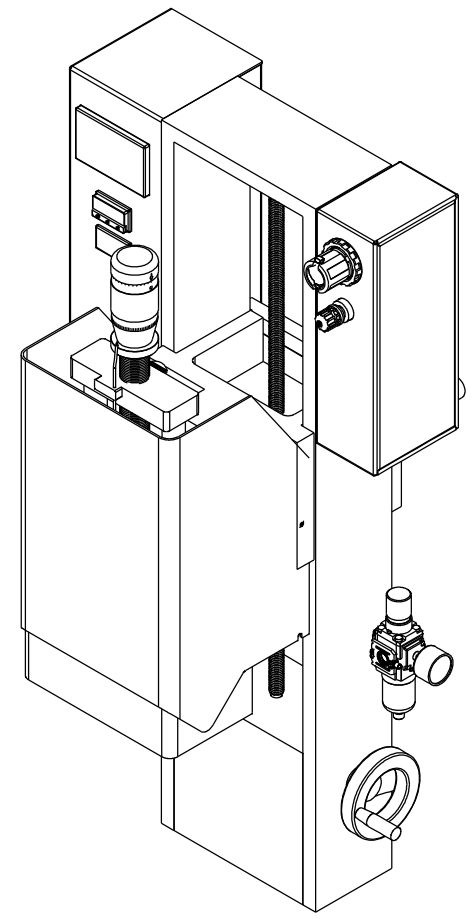
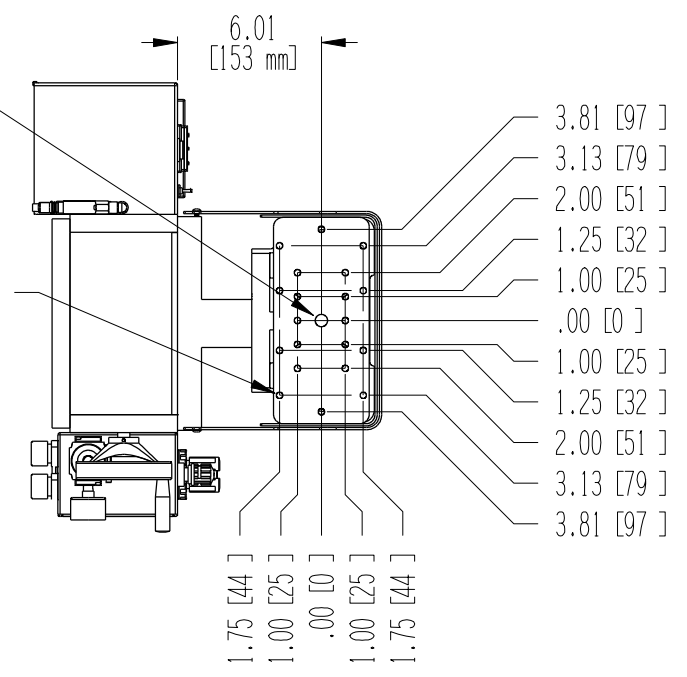


ADD 1.04 (26mm)  
FOR PB  
ADD 3.00 (76mm)  
FOR OPB

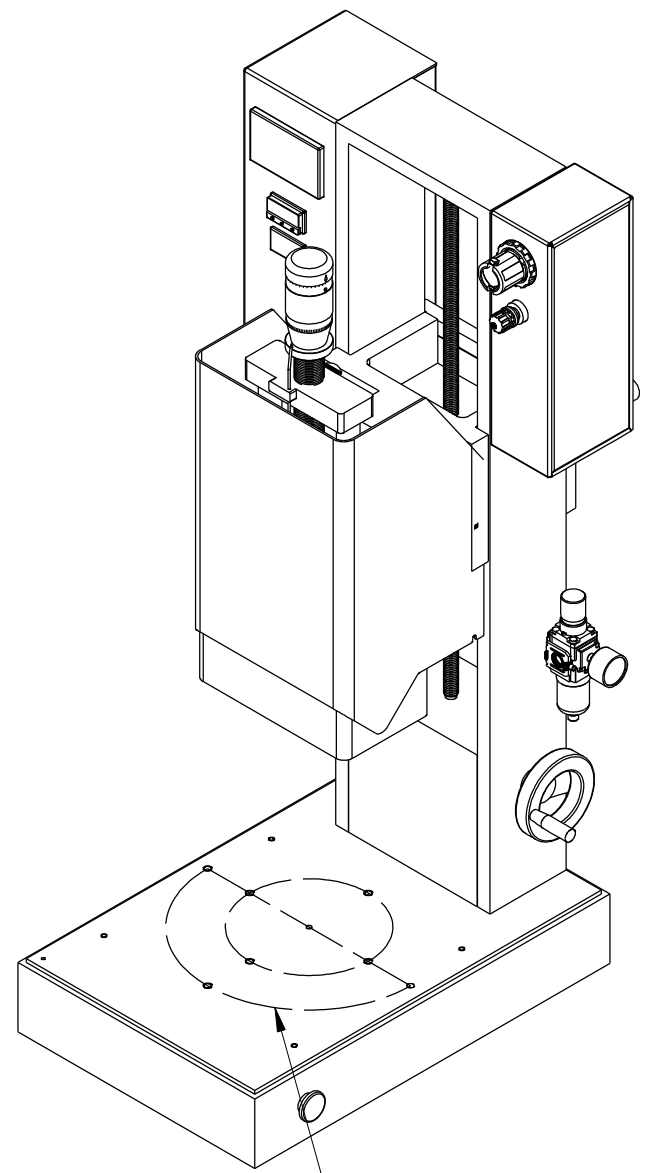


Ø 0.515 THRU  
CBORE Ø 0.785 X 0.500DEEP  
1 HOLE FOR 1/2 SHCS  
(CBORE ON REVERSE SIDE)

Ø 0.266 THRU  
CBORE Ø 0.437 X 0.250DEEP  
20 HOLE FOR 1/4 SHCS  
(CBORE ON REVERSE SIDE)



LESS BASE OPTION



Ø7.00" & Ø12.00"  
3/8-16 BOLT MOUNT PATTERNS

**SONITEK**  
84 RESEARCH DRIVE, MILFORD, CT 06460  
(203)-878-9321 FAX: (203)-878-6786

THIS PRINT IS THE PROPERTY OF SONITEK AND REPRESENTS CONFIDENTIAL AND PROPRIETARY INFORMATION OF SONITEK. THEREFORE, IT MAY NOT BE USED OR DISCLOSED IN ANY WAY WITHOUT THE EXPRESSED WRITTEN CONCENT OF SONITEK.

TITLE: THERMAL PRESS

SIZE B	DWG. NO. BASIC V10	REV -
-----------	-----------------------	----------