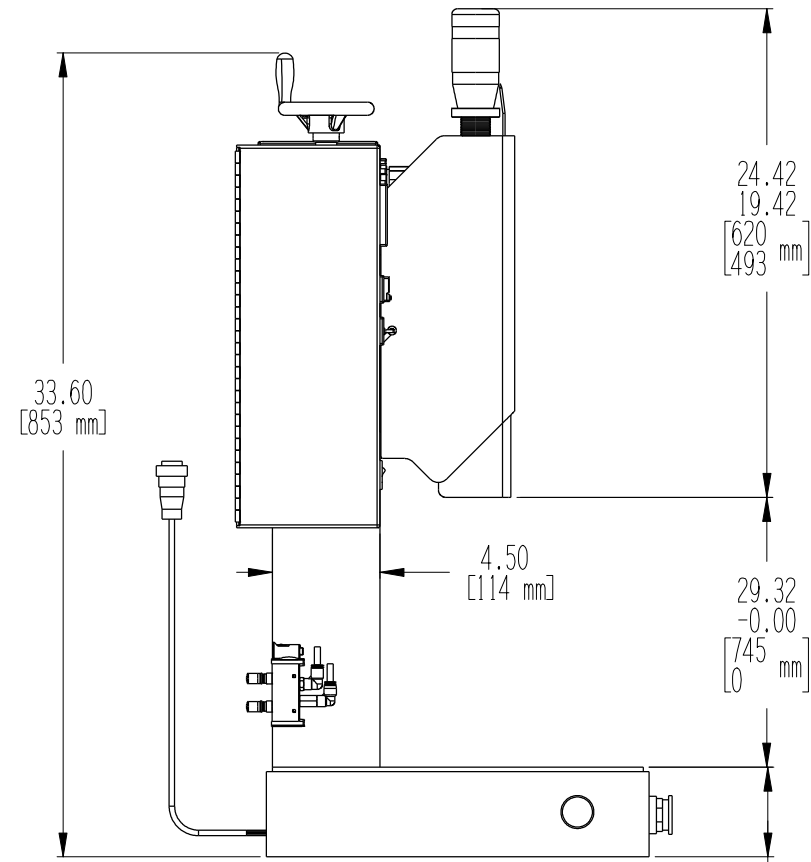
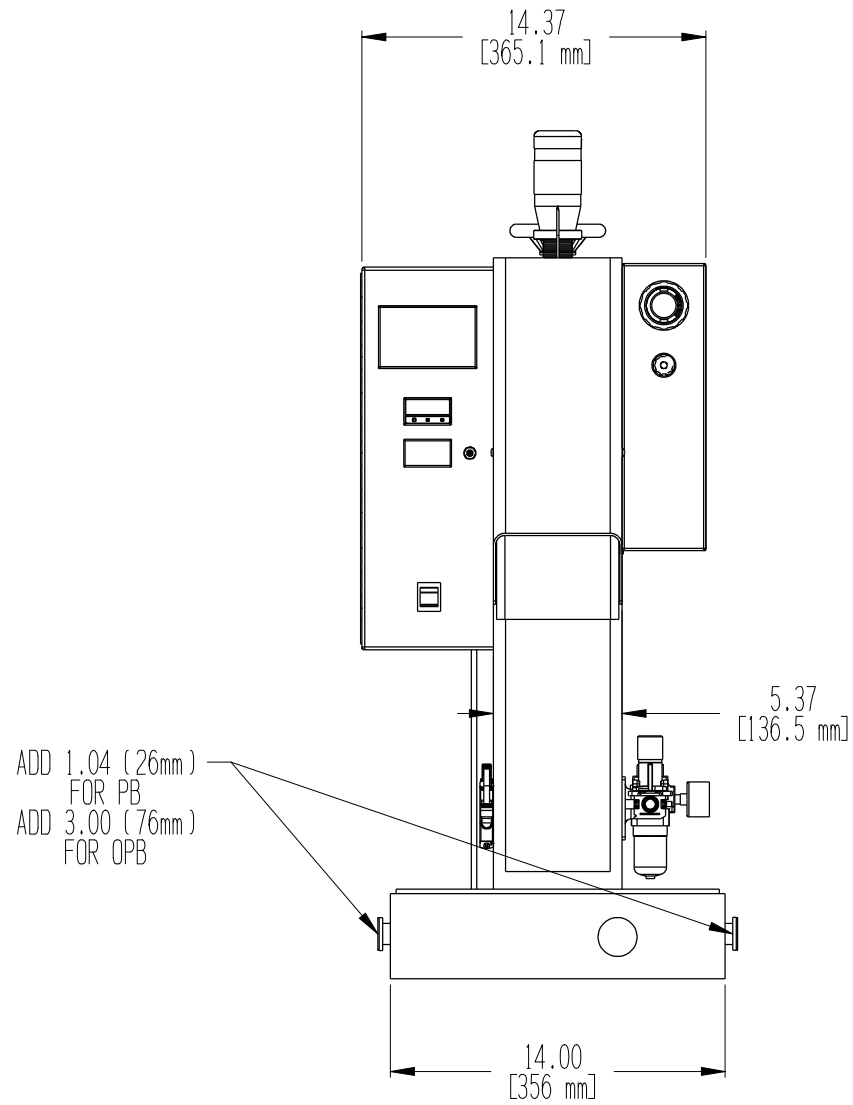
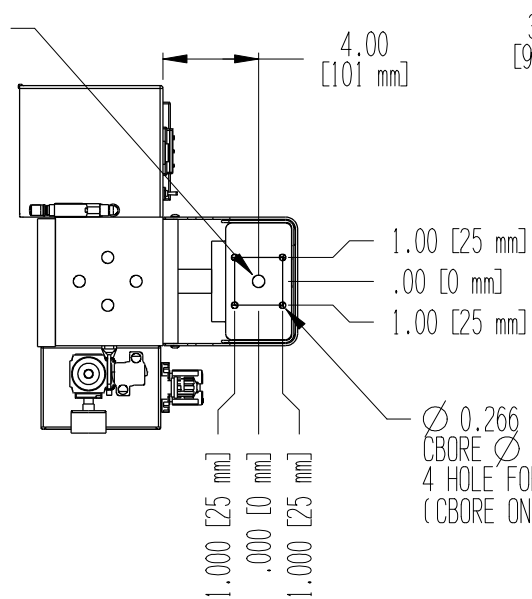


REVISIONS				
LTR	DESCRIPTION	DATE	REVISED	APPROVED
-	INITIAL RELEASE			

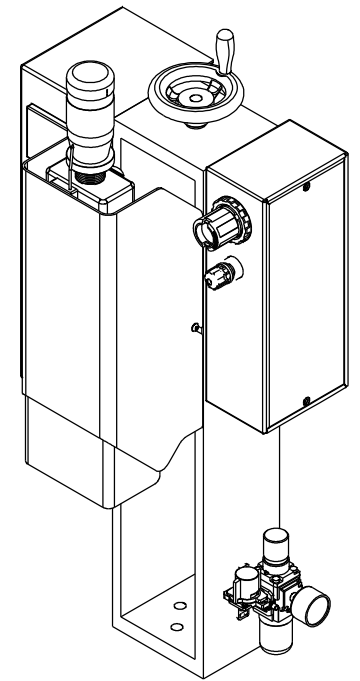


Ø 0.515 THRU  
CBORE Ø 0.785 X 0.515 DEEP  
1 HOLE FOR 1/2 SHCS  
(CBORE ON REVERSE SIDE)

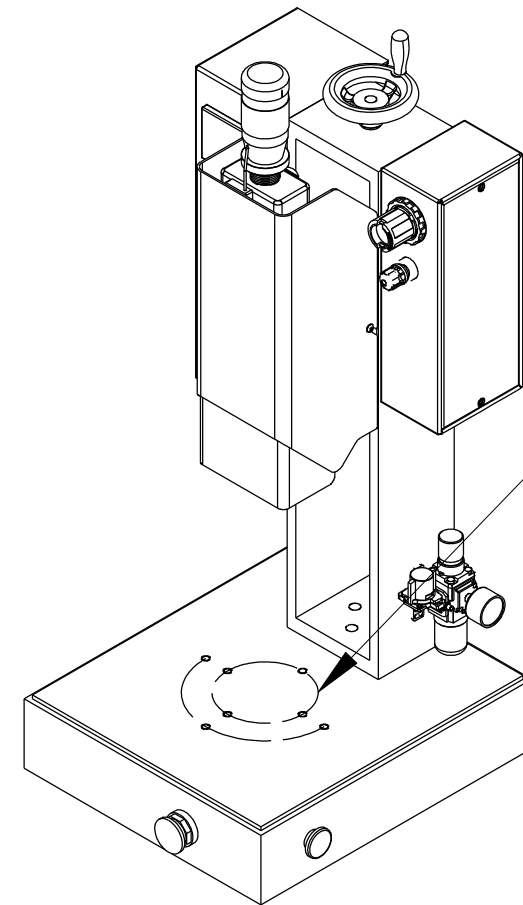


Ø 0.266 THRU  
CBORE Ø 0.406 X 0.250 DEEP  
4 HOLE FOR 1/4 SHCS  
(CBORE ON REVERSE SIDE)

BASE HIDDEN FOR CLARITY  
UPPER TOOL MOUNT PATTERN VIEW



LESS BASE OPTION (LB)



4.48" & 7.00"  
3/8-16 BOLT MOUNT PATTERN

**SONITEK**  
84 RESEARCH DRIVE, MILFORD, CT 06460  
(203)-878-9321 FAX: (203)-878-6786

THIS PRINT IS THE PROPERTY OF SONITEK AND REPRESENTS CONFIDENTIAL AND PROPRIETARY INFORMATION OF SONITEK. THEREFORE IT MAY NOT BE USED OR DISCLOSED IN ANY WAY WITHOUT THE EXPRESSED WRITTEN CONCENT OF SONITEK.

TITLE: THERMAL PRESS

SIZE	DWG. NO.	REV
B	BASIC V3	-