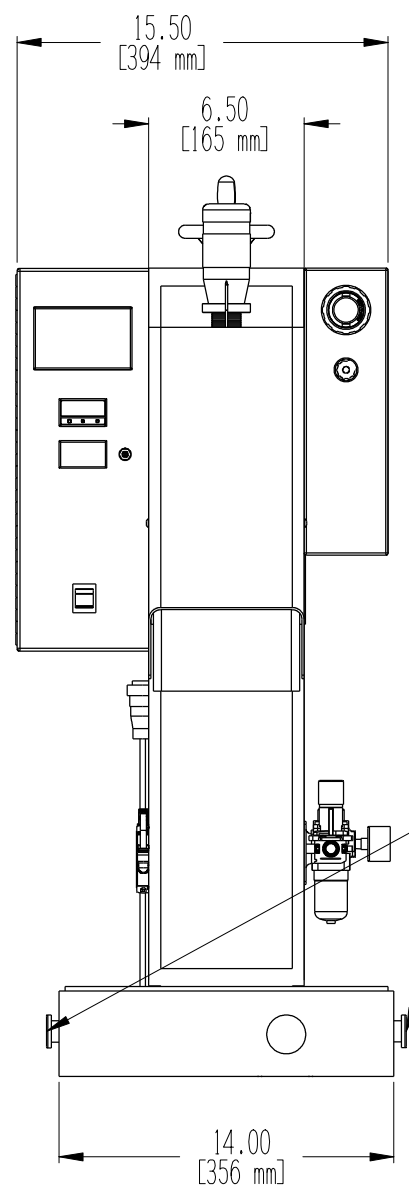
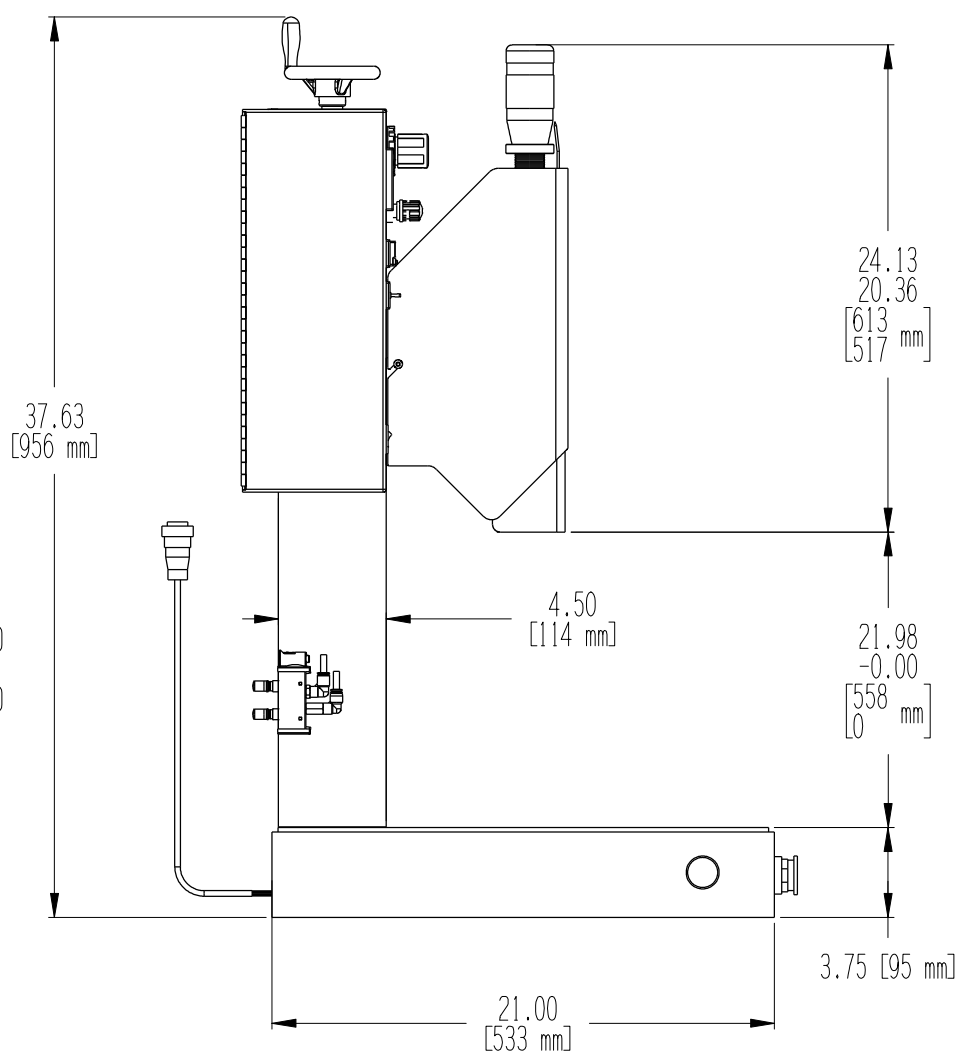


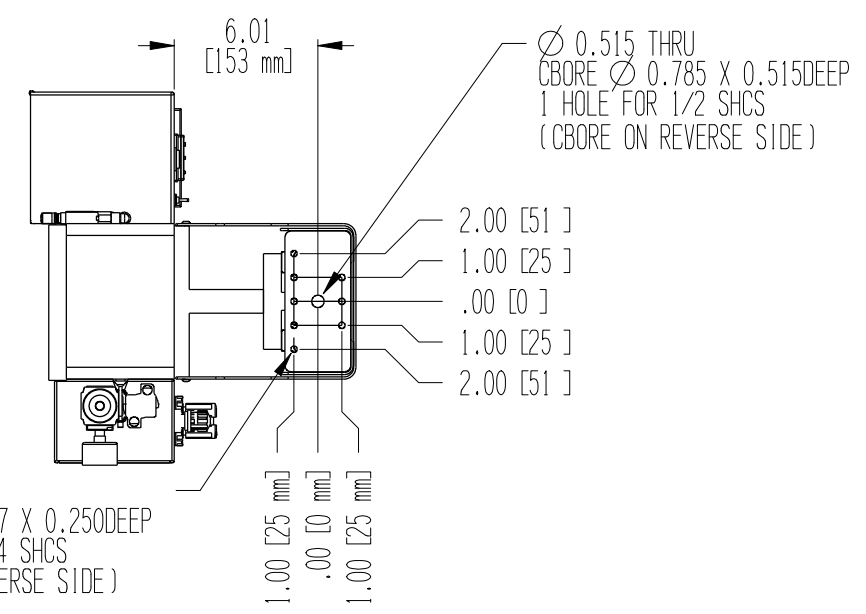
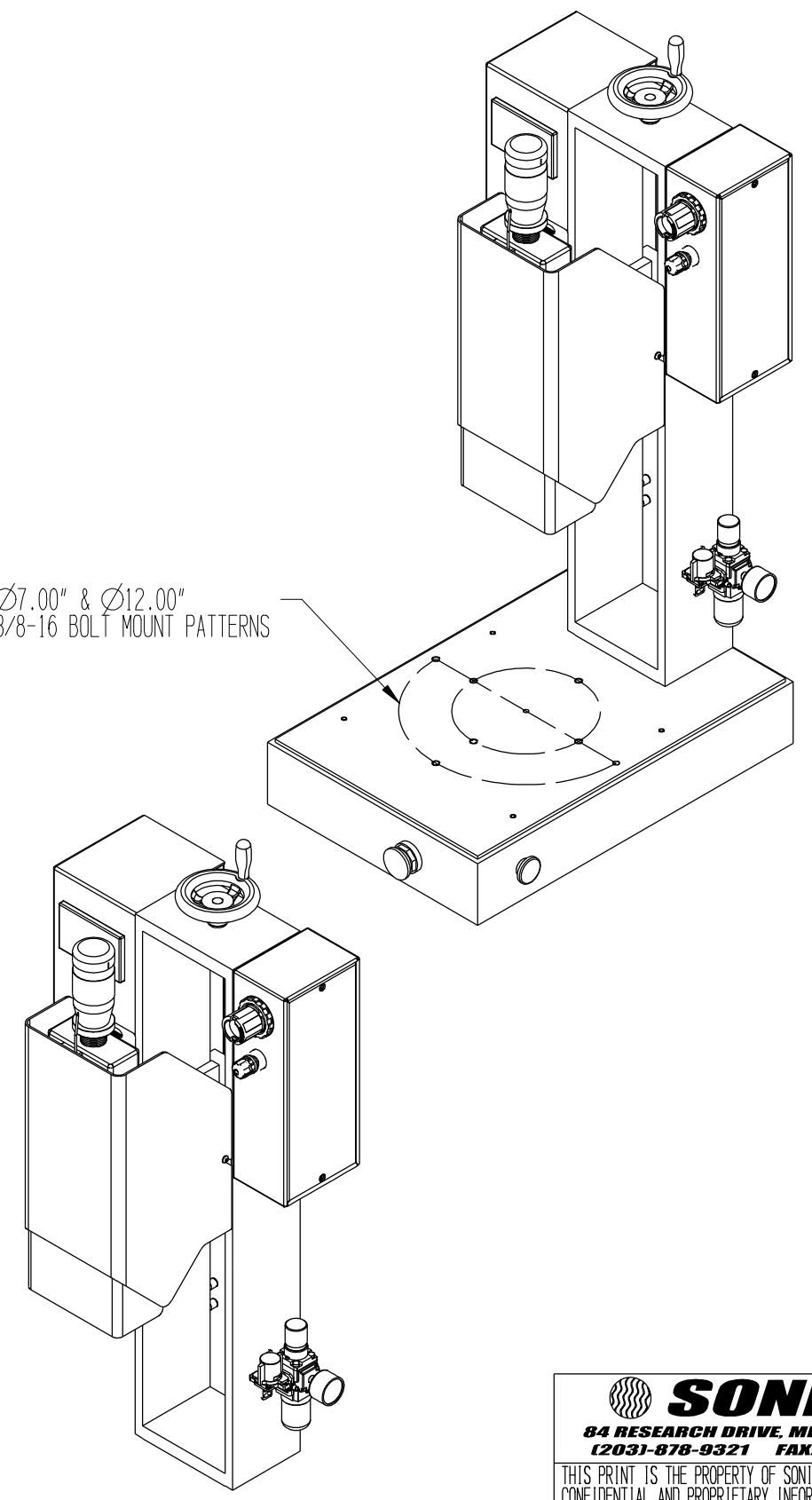
REVISIONS			
LTR	DESCRIPTION	DATE	APPROVED
-	INITIAL RELEASE		



ADD 1.04 (26mm)  
FOR PB  
ADD 3.00 (76mm)  
FOR OPB



Ø7.00" & Ø12.00"  
3/8-16 BOLT MOUNT PATTERNS



BASE HIDDEN FOR CLARITY  
UPPER TOOL MOUNT PATTERN VIEW

LESS BASE OPTION

**SONITEK**  
84 RESEARCH DRIVE, MILFORD, CT 06460  
(203)-878-9321 FAX: (203)-878-6786

THIS PRINT IS THE PROPERTY OF SONITEK AND REPRESENTS CONFIDENTIAL AND PROPRIETARY INFORMATION OF SONITEK. THEREFORE IT MAY NOT BE USED OR DISCLOSED IN ANY WAY WITHOUT THE EXPRESSED WRITTEN CONCENT OF SONITEK.

TITLE: THERMAL PRESS

SIZE B	DWG. NO. BASIC V5	REV -
-----------	----------------------	----------