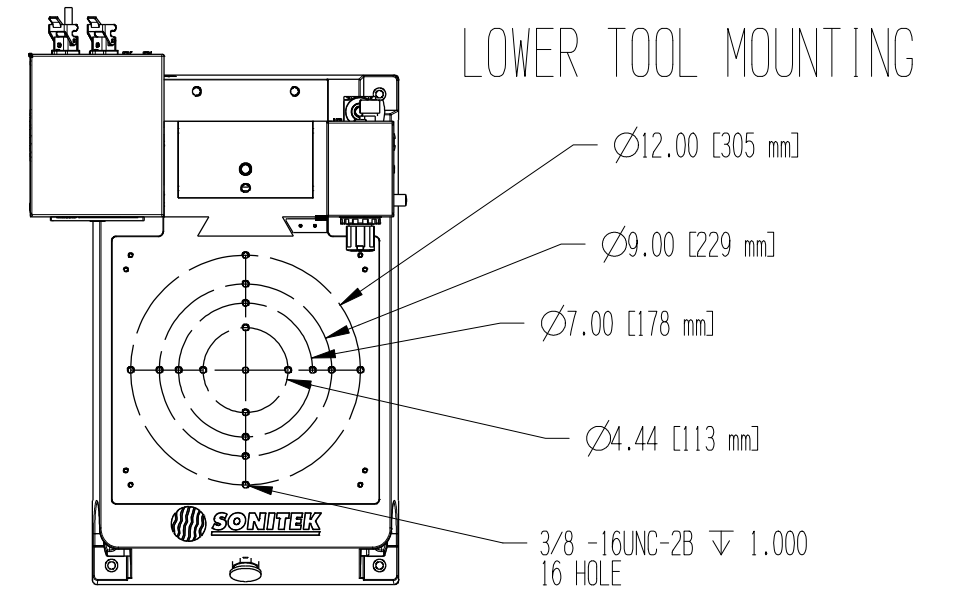
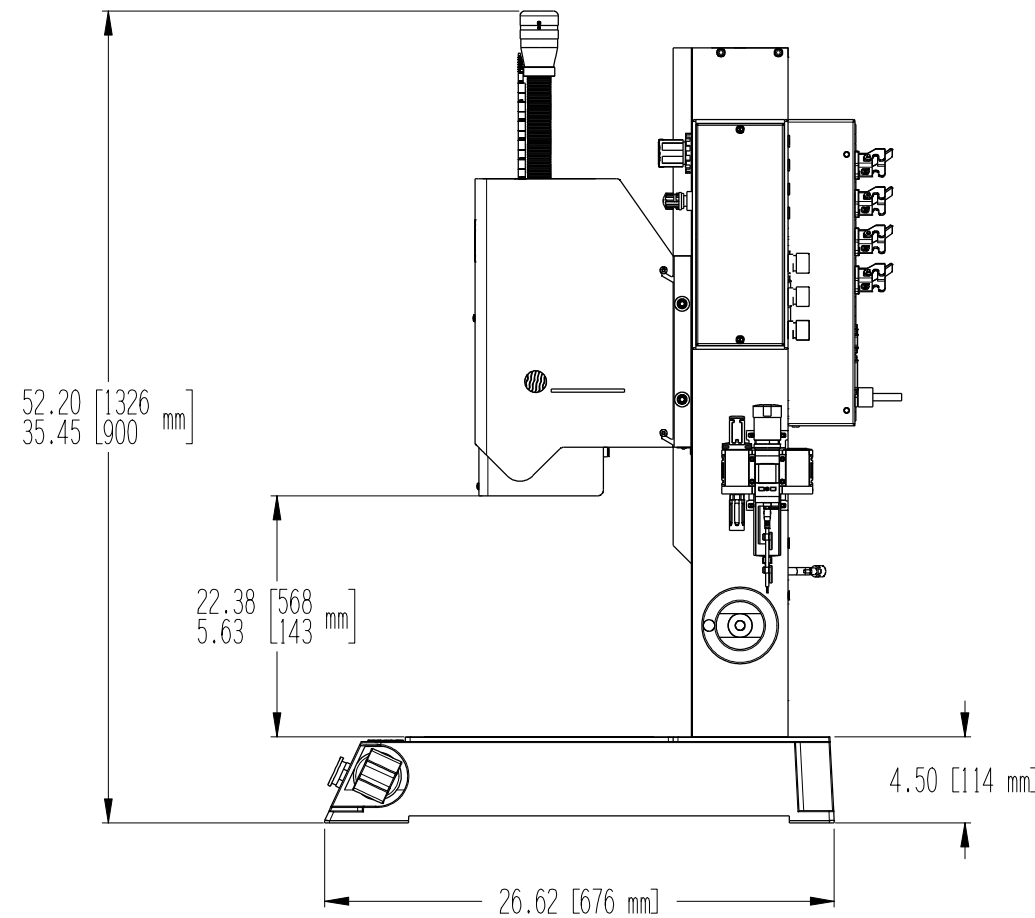
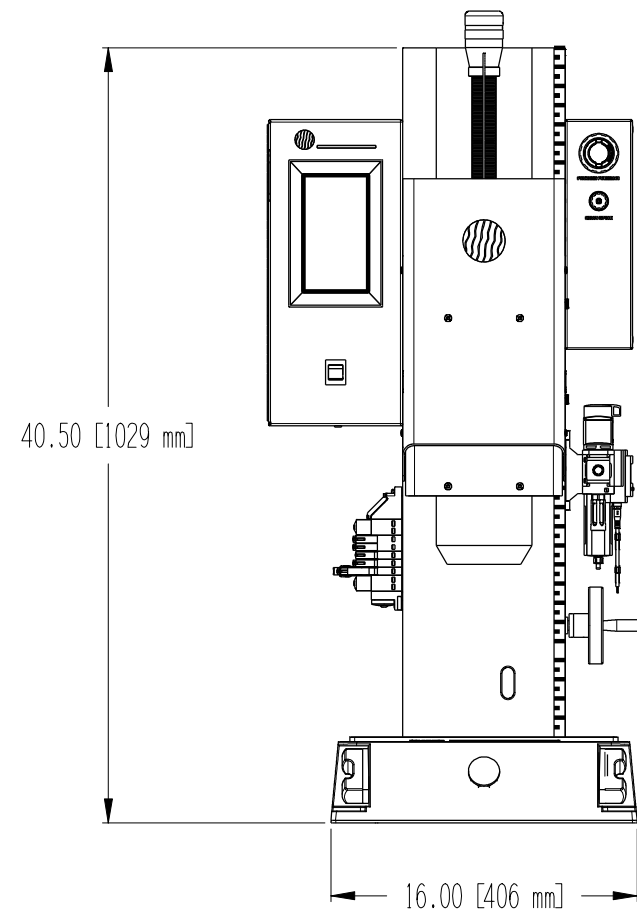
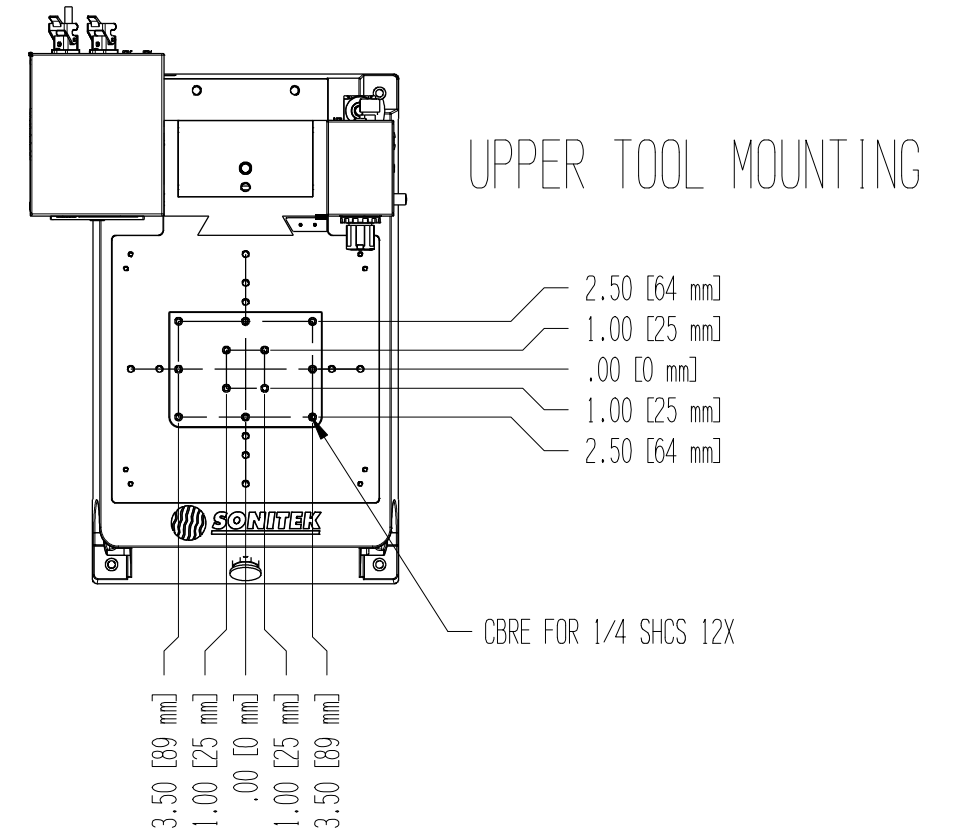
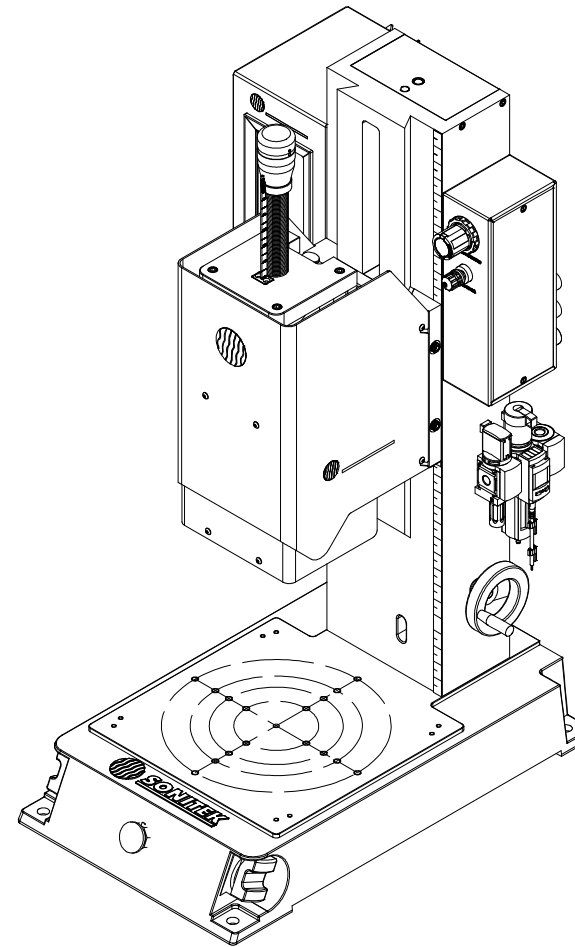
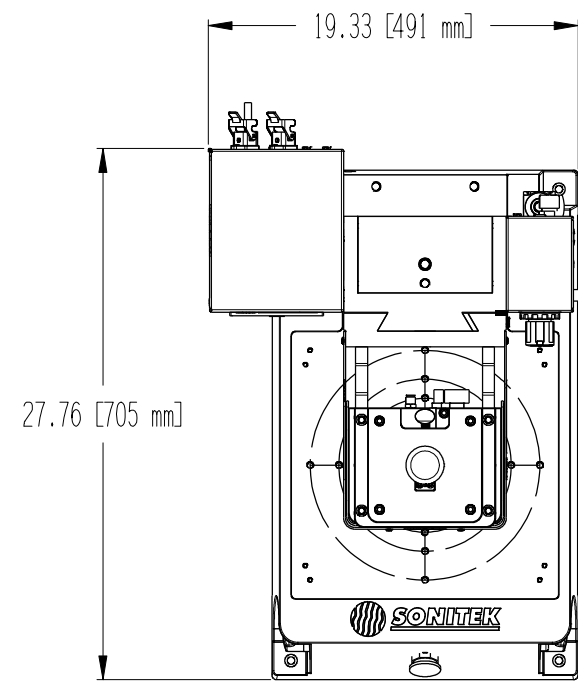


REVISIONS				
LTR	DESCRIPTION	DATE	REVISED	APPROVED
-	INITIAL RELEASE			



SONITEK
 84 RESEARCH DRIVE, MILFORD, CT 06460
 (203)-878-9321 FAX: (203)-878-6786

THIS PRINT IS THE PROPERTY OF SONITEK AND REPRESENTS CONFIDENTIAL AND PROPRIETARY INFORMATION OF SONITEK. THEREFORE IT MAY NOT BE USED OR DISCLOSED IN ANY WAY WITHOUT THE EXPRESSED WRITTEN CONSENT OF SONITEK.

TITLE: VERTEX MAX DIMS AND MOUNTING