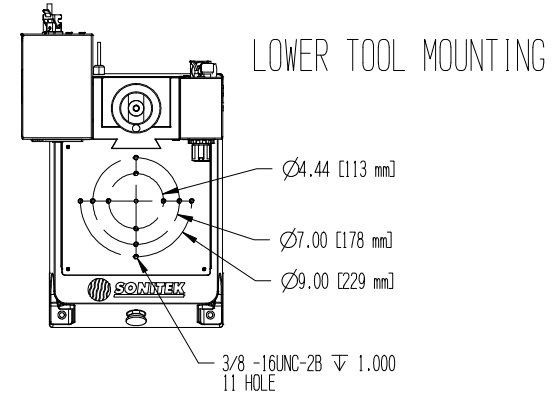
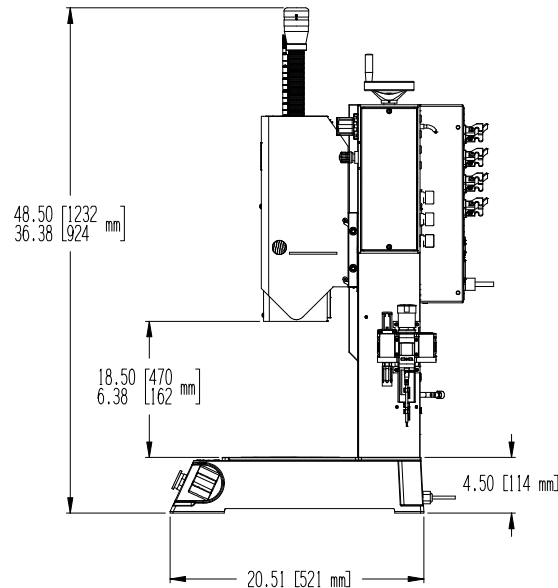
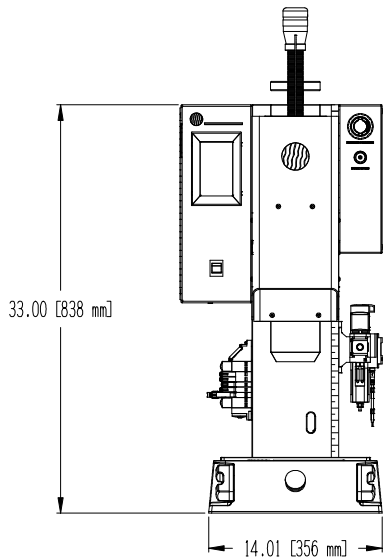
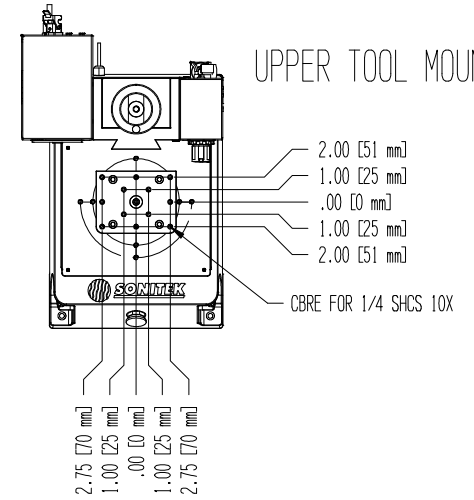
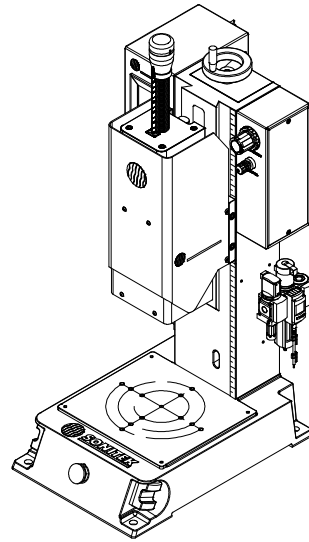
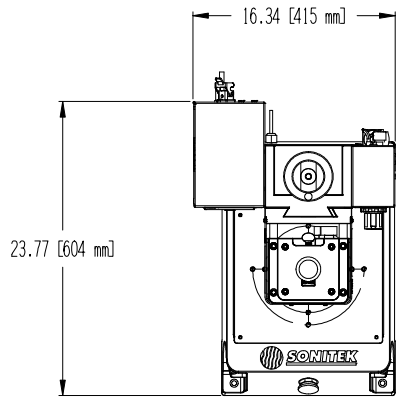


REVISIONS				
LT#	DESCRIPTION	DATE	REVISED	APPROVED
-	INITIAL RELEASE			



**SONITEK**  
84 RESEARCH DRIVE, MILFORD, CT 06460  
(203)-878-9321 FAX: (203)-878-6786

THIS PRINT IS THE PROPERTY OF SONITEK AND REPRESENTS CONFIDENTIAL AND PROPRIETARY INFORMATION OF SONITEK. THEREFORE IT MAY NOT BE USED OR DISCLOSED IN ANY WAY WITHOUT THE EXPRESSED WRITTEN CONSENT OF SONITEK.

TITLE: MINI DIMS AND MOUNTING